

Introduction to Automotive Engineering

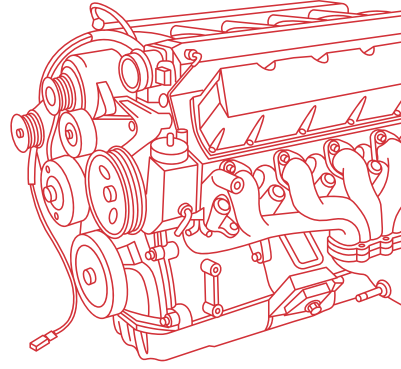
Micro-credential

Level 3

Introduction to Automotive Engineering Micro-Credential

This micro-credential is designed for individuals who have left secondary school and are interested in working in the automotive industry.

From tools and equipment, through to vehicle systems, components, and safe work practices, you'll gain the foundation knowledge required to gain an effective introduction to the industry or explore a potential career pathway.



Programme outline

This Level 3 micro-credential is expected to take up to five months to complete and must be completed within six months of your enrolment.

You will complete unit standards online via eLearning – this can be easily accessed at any time and from any device – mobile phone, tablet or PC.

2024 programme fee

Free until 31 December 2024.

UNIT STANDARDS	LEVEL	CREDITS
Demonstrate knowledge of good work habits and safe work practices in the automotive industry	2	4
Demonstrate knowledge of tools and equipment used in the motor industry	2	2
Demonstrate knowledge of petrol and diesel engines	3	4
Demonstrate knowledge of drivelines and final drives	3	4
Demonstrate knowledge of steering and suspension systems	3	2
Demonstrate knowledge of automotive tyres and wheels	3	3
Demonstrate knowledge of brake systems	3	4

INTRODUCTION TO AUTOMOTIVE ENGINEERING MICRO-CREDENTIAL (LEVEL 3)

Enrol at mito.nz/aemicro

MITO is a business division of
Te Pūkenga – New Zealand Institute
of Skills and Technology.

We support on-job learning and
career development for the
automotive, transport, logistics
and extractive industries.

0800 88 21 21 | info@mito.org.nz | mito.nz